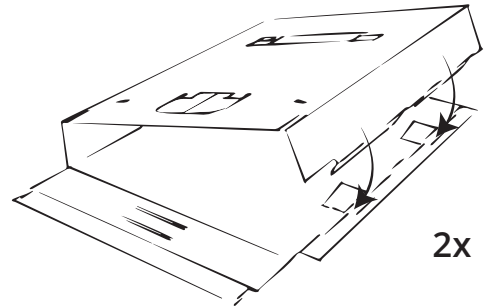
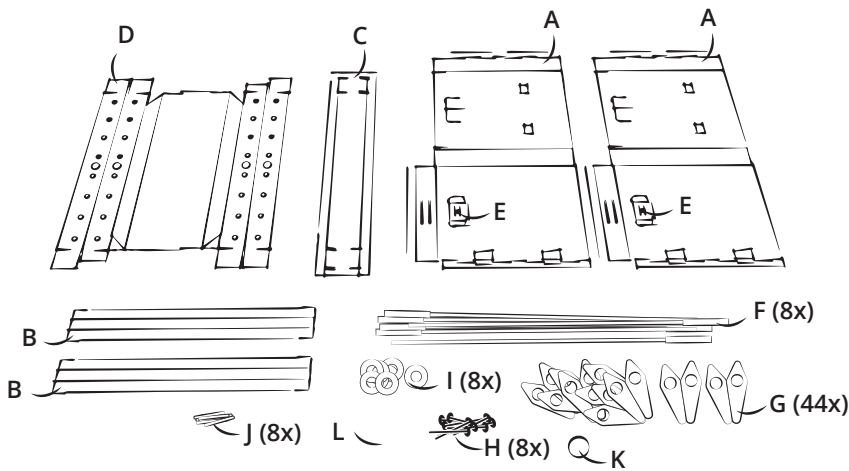
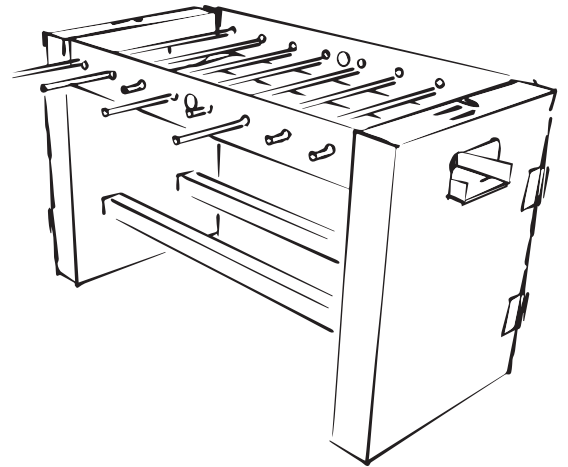


# FOOTBALL TABLE

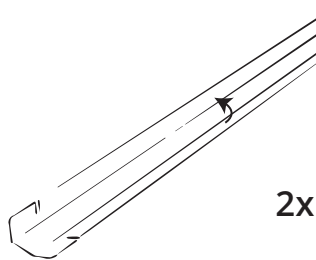
## WHAT'S IN THE BOX?

- |                           |                              |
|---------------------------|------------------------------|
| <b>2x</b> Legs A          | <b>8x</b> Ring I             |
| <b>2x</b> Support beam B  | <b>8x</b> Wooden stick J     |
| <b>1x</b> Support beam C  | <b>1x</b> Ball K             |
| <b>1x</b> Field body D    | <b>1x</b> Sticky tape L      |
| <b>2x</b> Score Counter E | <b>Optional</b>              |
| <b>8x</b> Wooden bar F    | <b>11x</b> Sticker Team Red  |
| <b>44x</b> Player part G  | <b>11x</b> Sticker Team Blue |
| <b>22x</b> Nails H        | <b>1x</b> Field sticker      |

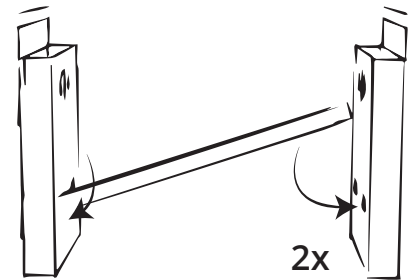


1. Check if you have all the parts.

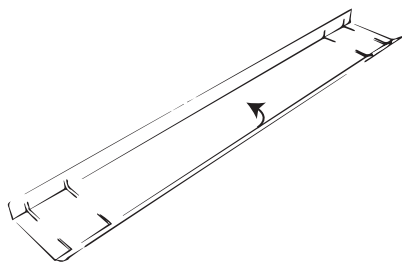
2. Fold legs A over the fold lines and attach with the cardboard connection.



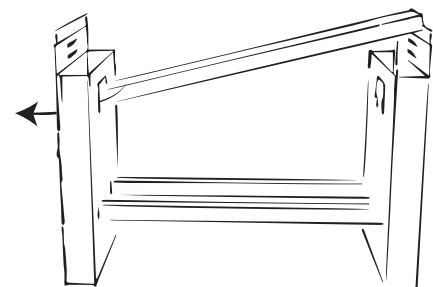
3. Pre-fold support beams B over the fold lines. Be careful not to tear the beam. (2x)



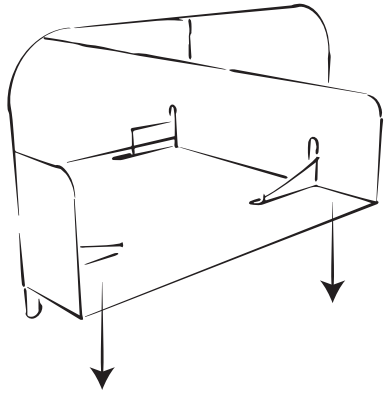
4. Put legs A in a position facing each other and add both sides of support beams B in the designated slots. (2x)



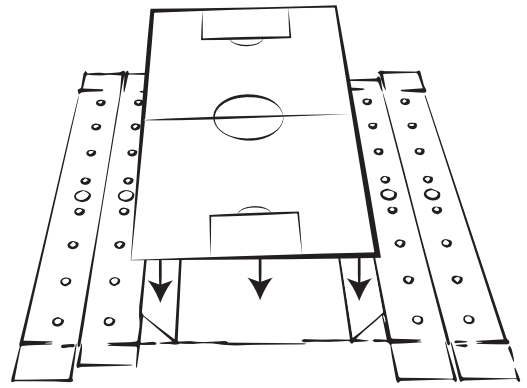
5. Pre-fold support beam C over the fold lines as shown.



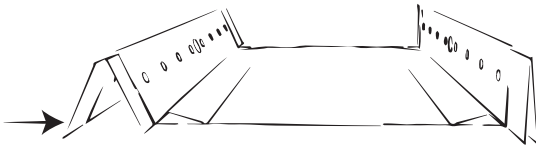
6. Now add support beam C in the top slots of legs A.



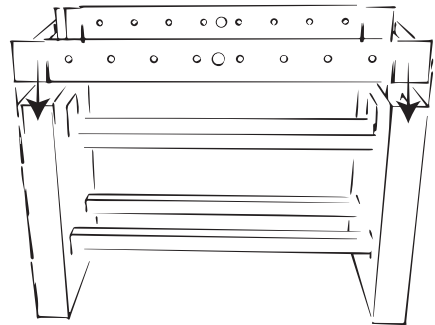
7. Make sure to slide part C all the way down in the slots, as shown.



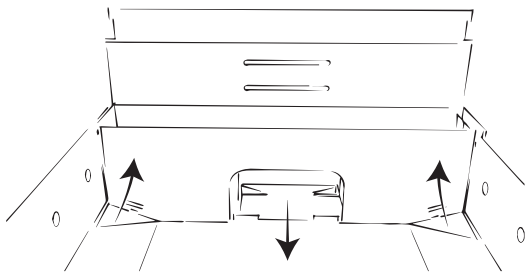
8. (Optional) If you ordered a field sticker, this is the best moment to attach it.



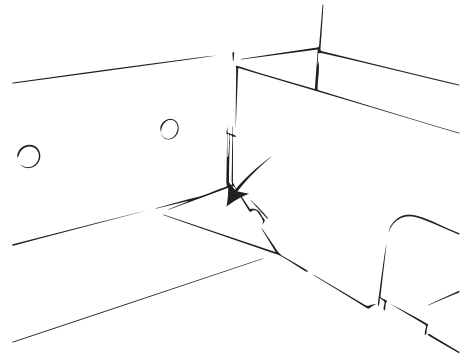
9. Prepare field body D by raising the sides over the fold lines as shown.



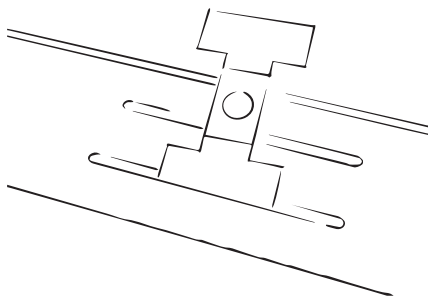
10. Now add part D on the top of legs A over the designated slots. Lower it carefully.



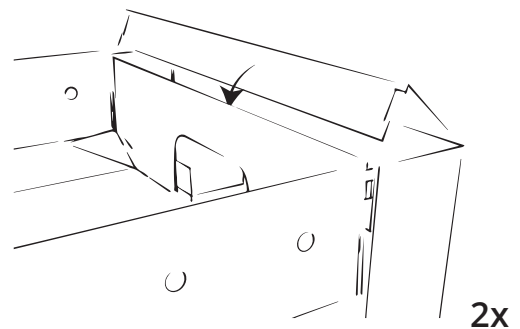
11. Make sure the middle of the field is lower than the sides. This prevents the ball from getting stuck. The corners need to be lifted up.



12. Lower the corners until they fall into the slots.

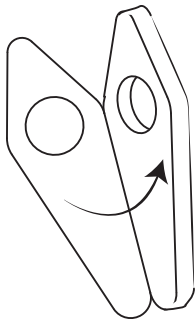


13. To keep the score, slide score counter E into the slots on top of legs A. Squeeze the score counter together behind the slots to secure it.

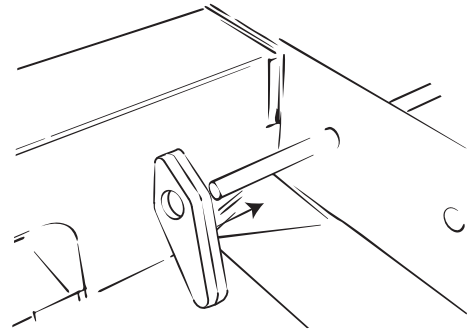


14. Now close the top of legs A

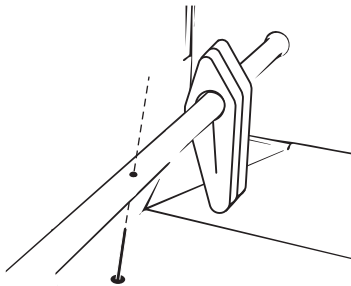
2x



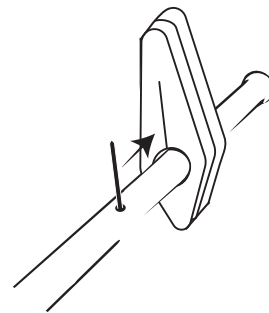
15. Now prepare the player parts G by folding them double over the shallow cutline.



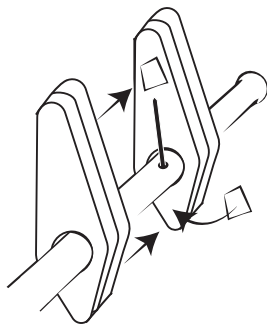
16. Put a wooden bar F through a hole and attach the right amount of player parts.



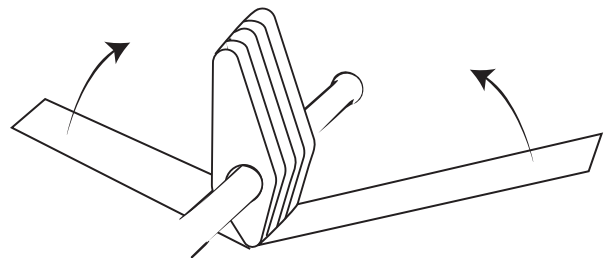
17. To attach the player parts to the bars, put a nail through one of the holes.



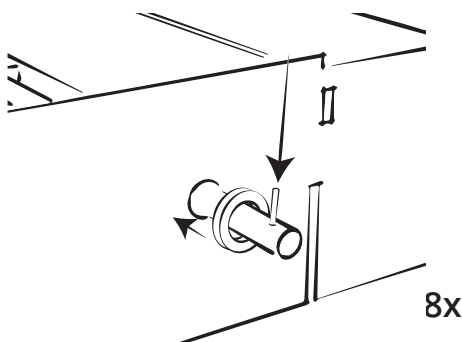
18. Slide the nail into the cuts on the side of the player parts.



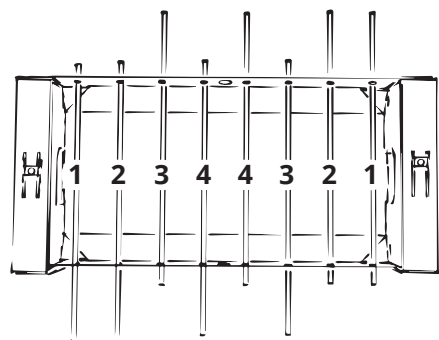
19. Finish the player by attaching two player parts together, securing the nail, using some sticky tape.



20. (Optional) If you ordered player stickers, this is the best moment to attach them. Align the stickers from the top.



21. Attach rings I onto the wooden bar and secure with the wooden sticks J



22. Make sure to attach the wooden bars in the right order. The number corresponds with the number of holes. After some hard work, your table is ready to play!