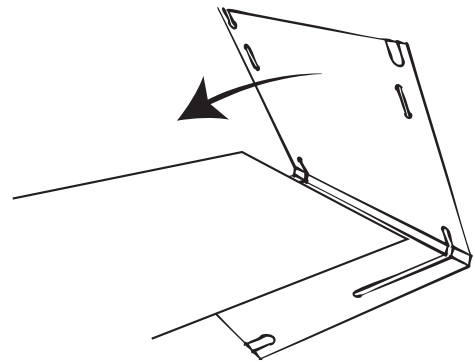
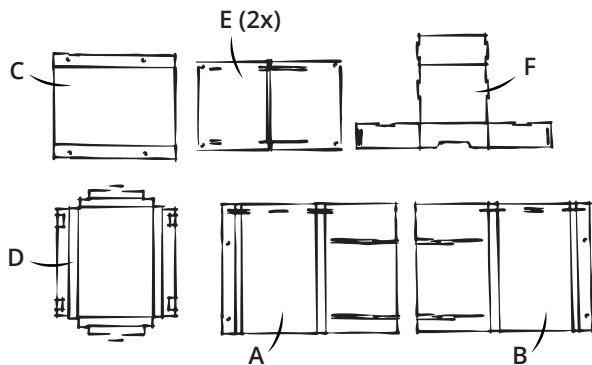
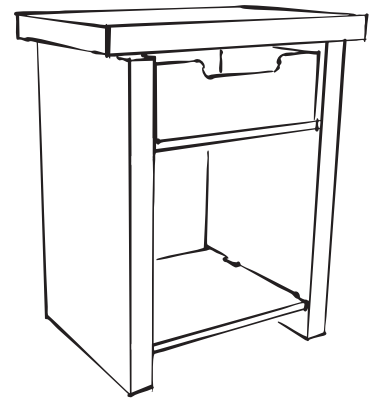


NIGHTSTAND

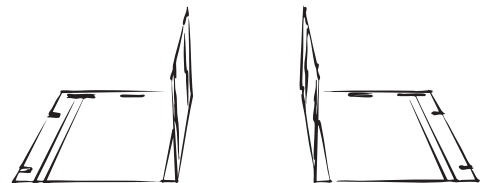
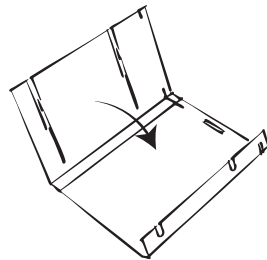
WHAT'S IN THE BOX?

- 1x Left wall A
- 1x Right wall B
- 1x Back wall C
- 1x Top D
- 2x Bookshelf E
- 1x Drawer F



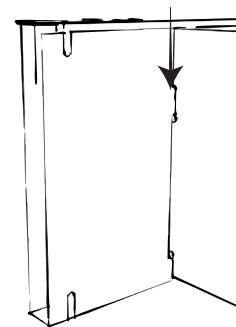
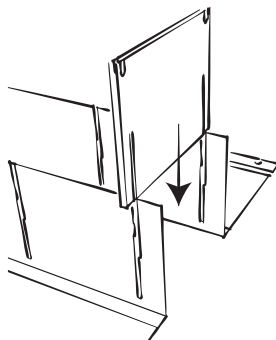
1. Remove all parts from the box and check if they are all present.

2. Fold the bookshelves E over the folding lines as shown (2x). Use another piece of cardboard to make folding easier.



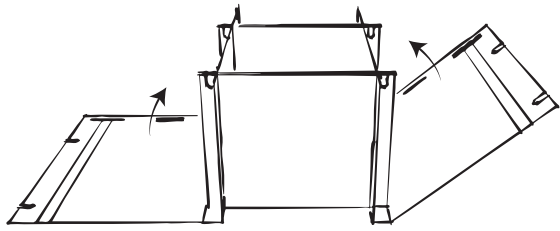
3. Fold side walls A and B already over the folding lines.

4. Place the side walls A and B on the floor, folded up the side with incisions.

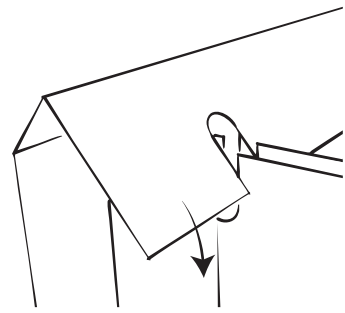


5. Now slide the bookshelves E from the top in the side walls (2x). Make sure that the fold is directed downwards, and the deep slots backwards.

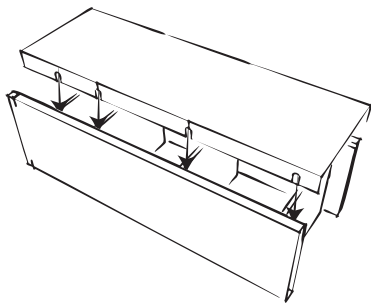
6. Slide the bookshelves just like that until the click finger on the oven side falls into the designated hole.



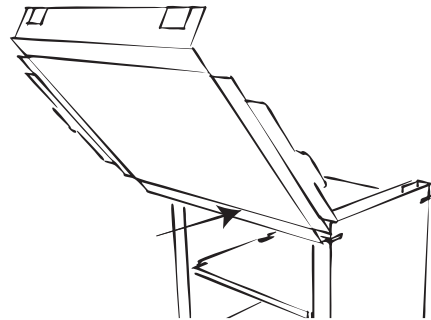
7. Now fold the side walls A and B upwards as shown.



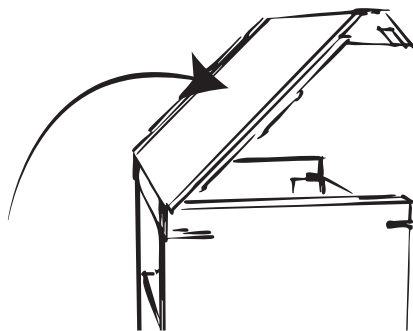
8. Click the side walls in the designated slots, as shown.



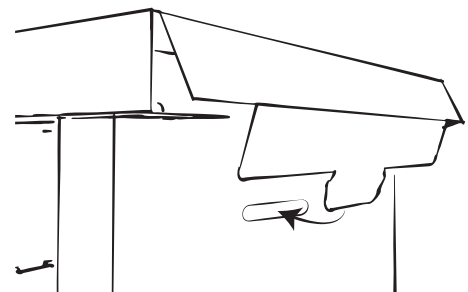
9. Now attach the back wall C in the same slots as the side walls.



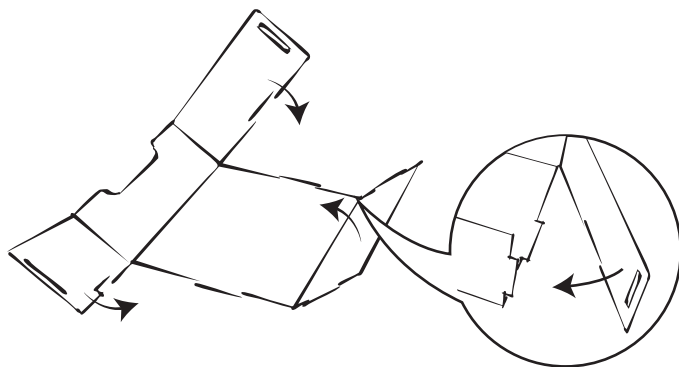
10. Now take top D and slide it at the front and back in the designated slots



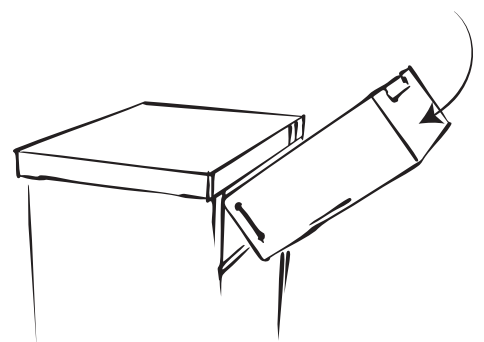
11. Discard the top d over the cupboard to attach the other side.



12. Attach the click fingers on either side of the top.



13. Take drawer F and fold it over the folding lines so that the click fingers fall together.



12. Now hang the drawer in the bedside table by sliding it inside at an angle.