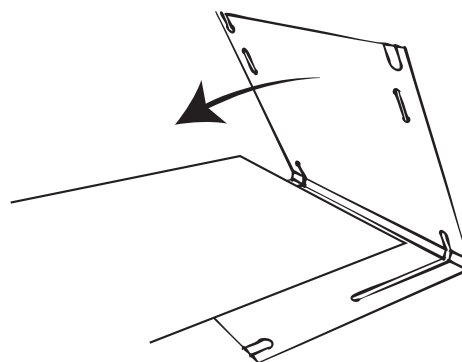
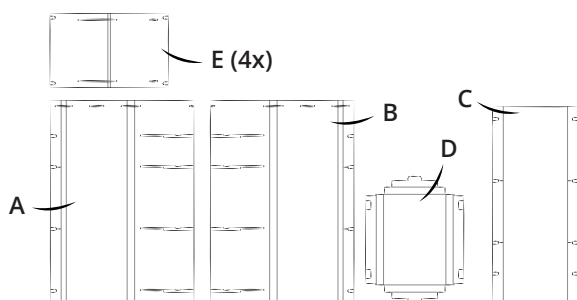
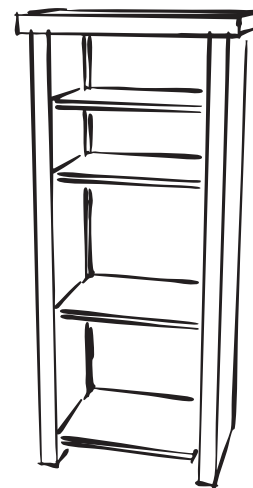
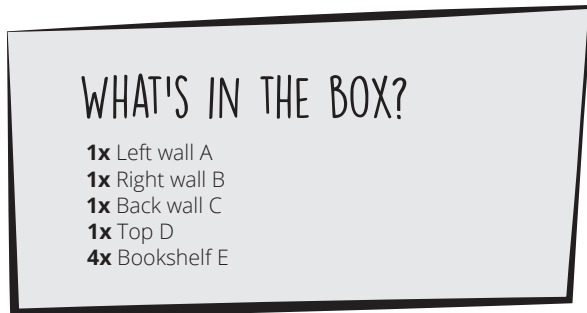
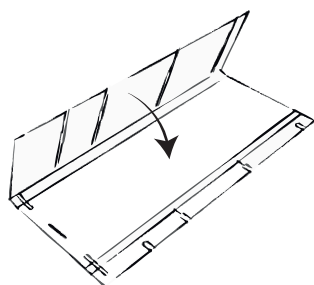


# BOOKCASE 85'

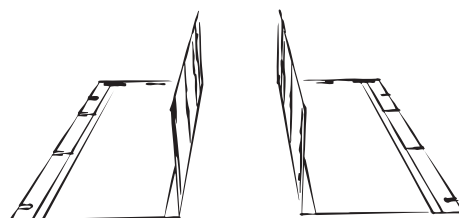


1. Remove all parts from the box and check if they are all present.

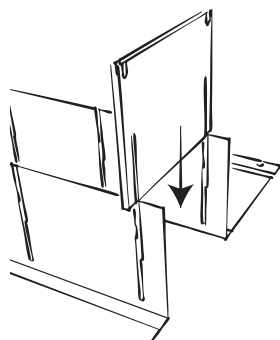
2. Fold the bookshelves E over the fold lines as shown (4x). Use another piece of cardboard to make it easier to fold.



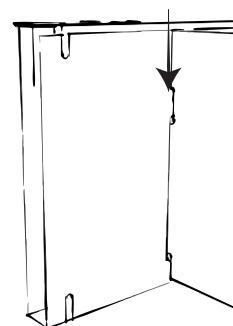
3. Prefold side walls A and B over the folding lines.



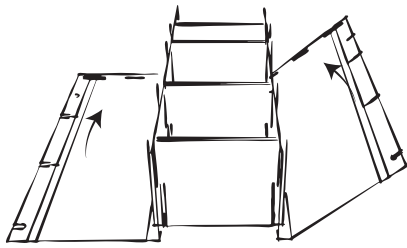
4. Place the side walls A and B on the floor, the side with incisions folded upwards.



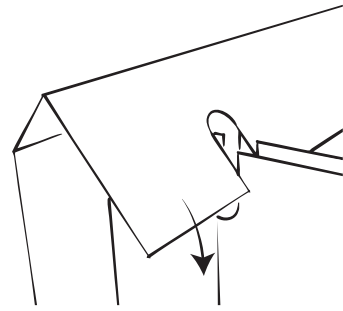
5. Now slide the Bookshelves E into the side walls from the top (4x). Make sure that the fold is facing downwards, and the deep slots are pointing backwards.



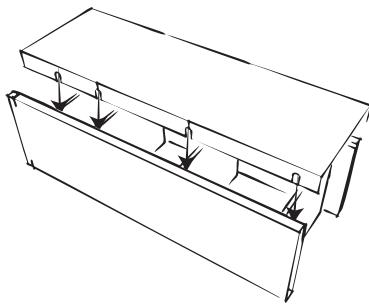
6. Slide the bookshelves until the click finger on the oven side falls into the hole provided.



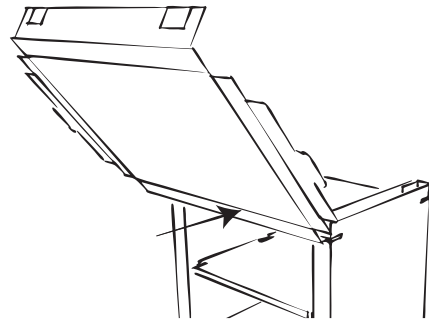
7. Now fold the sidewalls A and B upwards as shown.



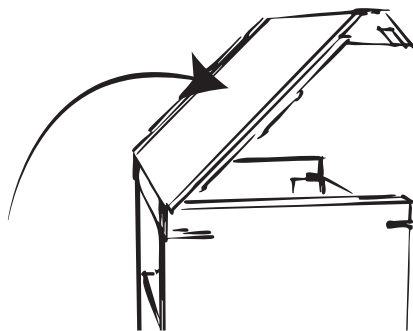
8. Snap the sidewalls into the slots provided, as shown.



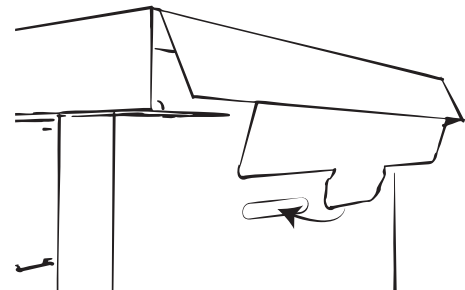
9. Now attach the back wall C in the same slots as the side walls.



10. Now take top D and slide it into the designated slots at the front and back



11. Fold the top D over the box to attach the other side.



12. Attach the click fingers on either side of the top in the holes. Your bookcase is now finished!