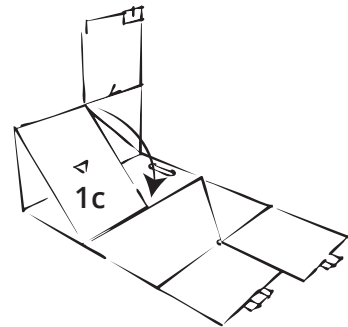
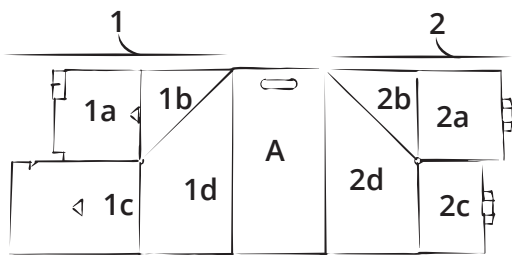
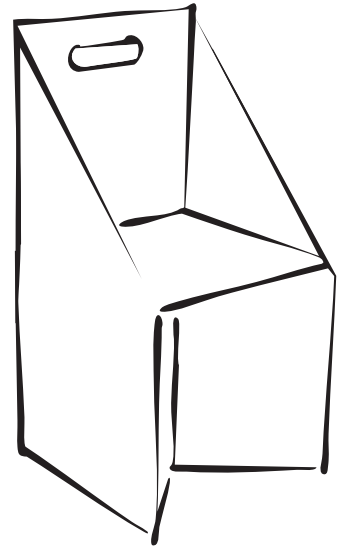


FOLDING CHAIR

WHAT'S IN THE BOX?

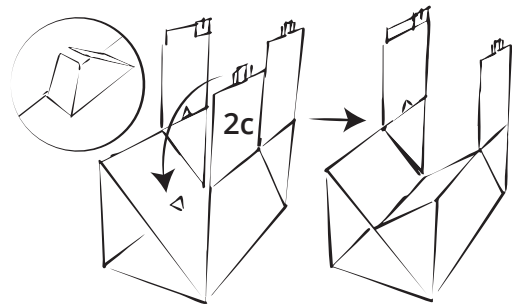
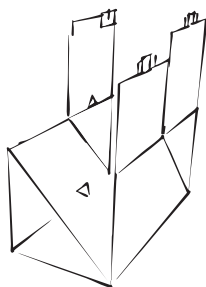
1x Folding chair A

NOTE: to assemble this folding chair you need 1 by 2.5 meters of space.



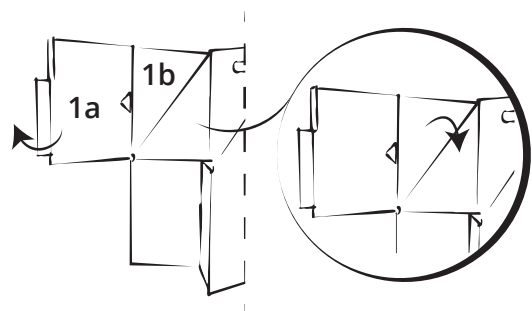
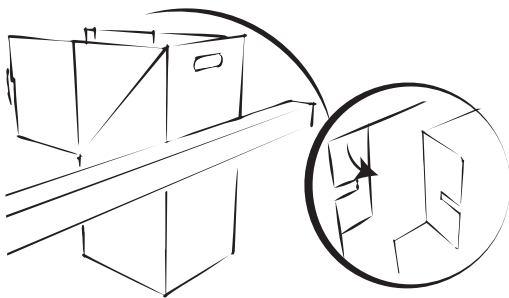
1. Remove the part from the box. Prefold all fold lines. **Please note:** the sides are numbered in the instructions only.

2. Fold all of side 1 at a 90 degree angle. Fold flap 1c further by 45 degrees.



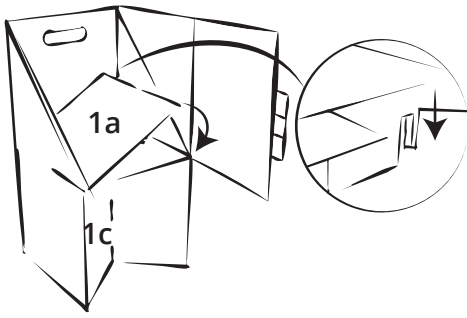
3. Fold flap 2 over at a 90 degree angle.

4. Fold flap 2c further by 45 degrees. Fold the mounting piece into a triangle as shown on the left and slide it into the hole in flap 1c.

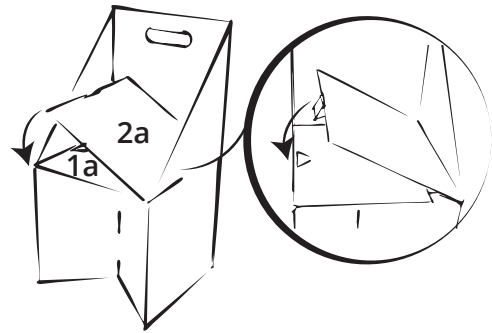


5. Now put the chair upright. **Tip:** Place the back of the chair against a flat surface. Fold the flap at the top of side 1a inwards.

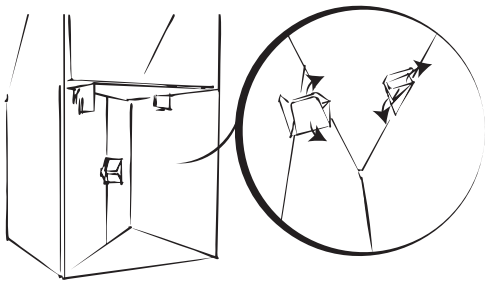
6. Fold 1a outwards. Then fold 1b inwards by folding the triangles on top of each other.



7. Then push 1a down so that the recesses of 1a and 1c align as shown on the right.



8. Fold the last protruding side 2a and 2b inward as in steps 6 and 7, fold the mounting piece into a triangle again and slide it into 1a.



9. Check at the bottom whether all mounting pieces are properly secured and unfolded. The folding chair is now finished!