

PEDESTAL

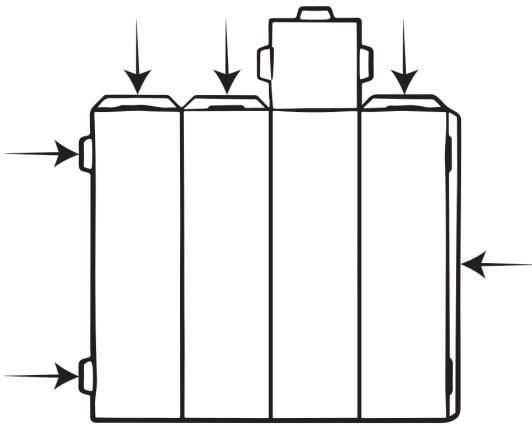
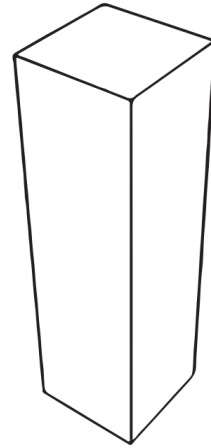
WHAT'S IN THE BOX?

1x Base part base A

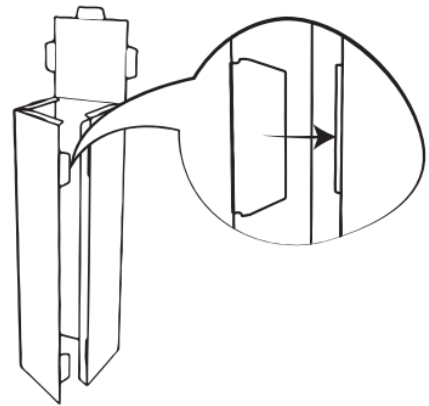
Optional parts

1x Reinforcement cross part B

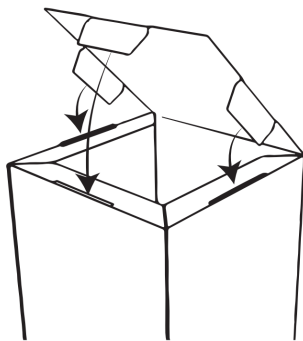
1x Reinforcement cross part C



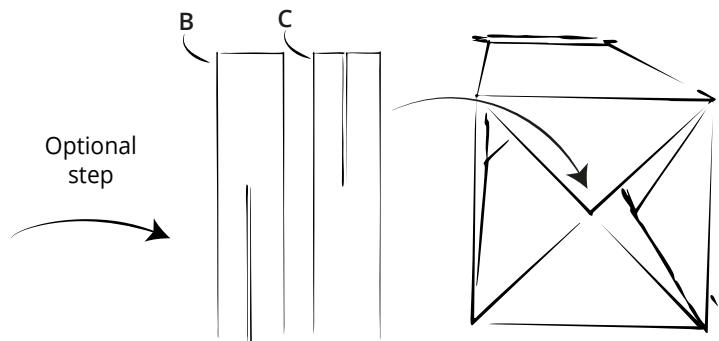
1. Fold the flaps towards yourself



2. Fold the pedestal as above and insert the 2 click fingers in the slots.



3. Fold the flaps from the lid towards yourself and fold the top down to close the pedestal. Your pedestal is ready.



4. Slide parts B and C together to reinforcement cross. Slide it then in the middle of the pedestal through the bottom.