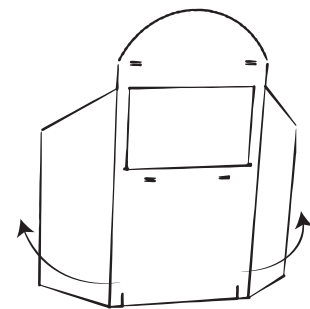
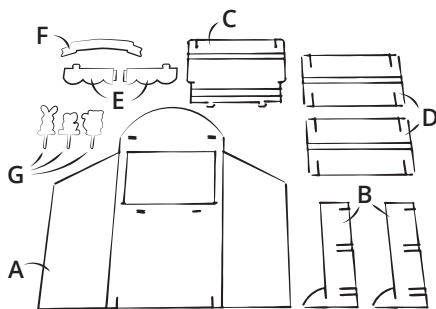
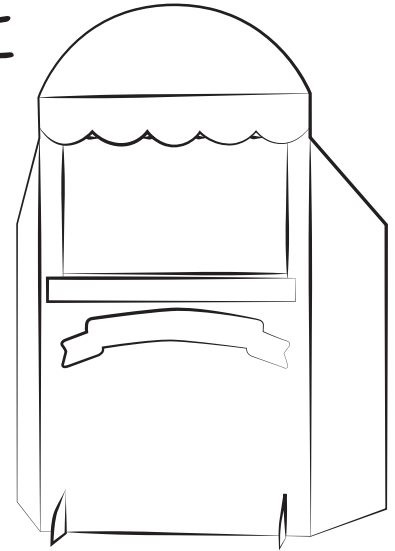


# PUPPET THEATRE

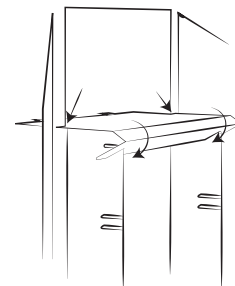
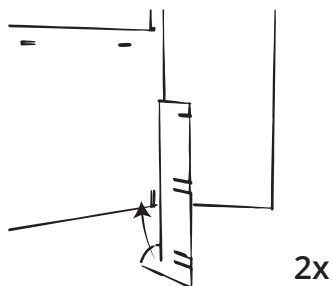
## WHAT'S IN THE BOX?

- 1x Base part puppet theatre A
- 2x Legs B
- 1x Upper shelf C
- 2x Back shelf D
- 2x Curtain part E
- 1x Banner F
- 3x Puppets G



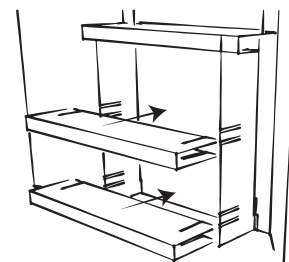
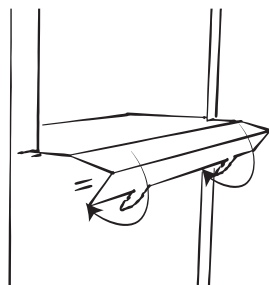
1. Check if you have all parts.

2. Fold the sides of base part A backwards along the folding lines.



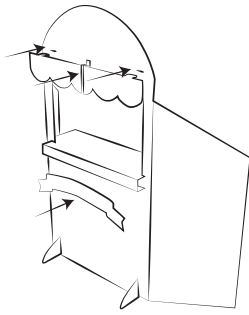
3. Slide the legs B in the incisions at the bottom of A. Do this on both sides.

4. Fasten upper shelf C in the window of base part A and fold C to fit into the incisions of legs B.

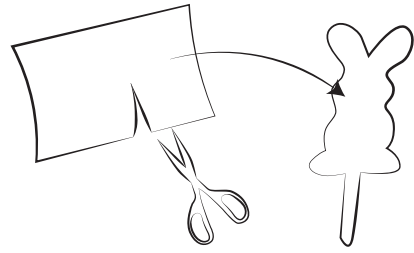


5. Also fold C along the folding lines on the front and click the fingers into base part A.

6. Fold back shelf along the folding lines and slide into the incisions of the legs. Do this for both shelves.



7. Fasten the curtain parts E above the window. You can decorate the banner yourself and glue it to your theatre.



8. Cut out the illustrations of the animals and glue on the cardboard puppets. Every puppet has two expressions that can each be glued to either side of the cardboard.

