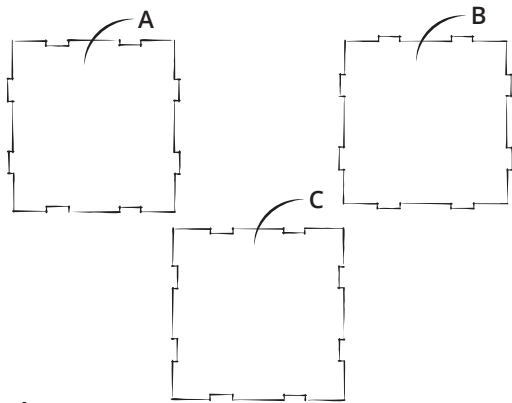
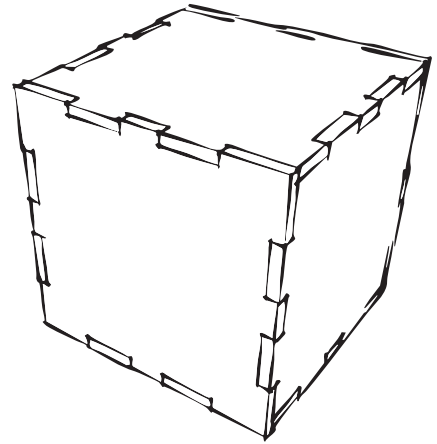


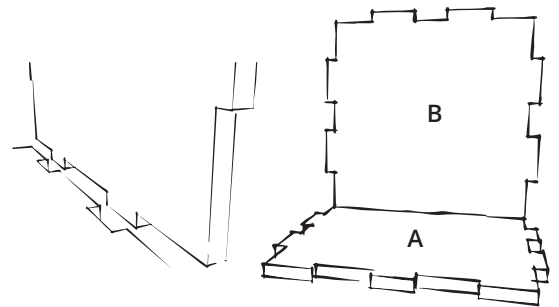
HONEYCOMB STACKING CUBE

WHAT'S IN THE BOX?

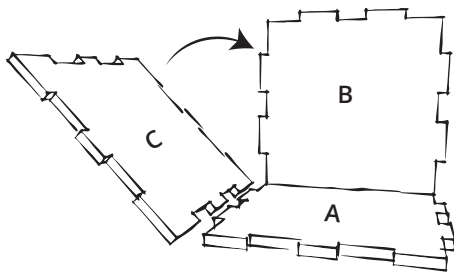
- 2x Cube part with protrusions and notches A
- 2x Cube part with protrusions B
- 2x Cube part with notches C



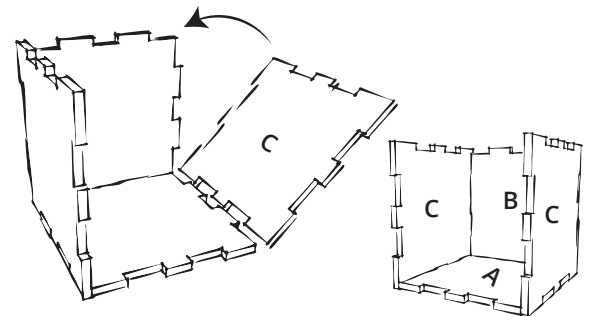
1. Check that you have all the parts and break out the loose parts.



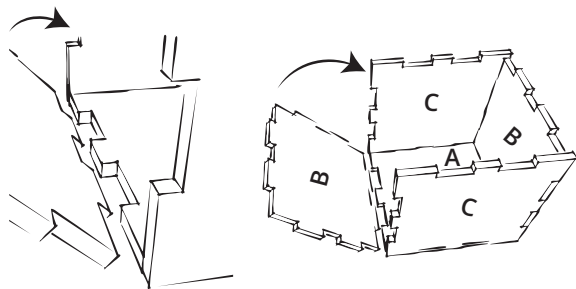
2. Align the teeth of both parts at right angles to each other. Slide the teeth firmly into the notches until they fully engage.



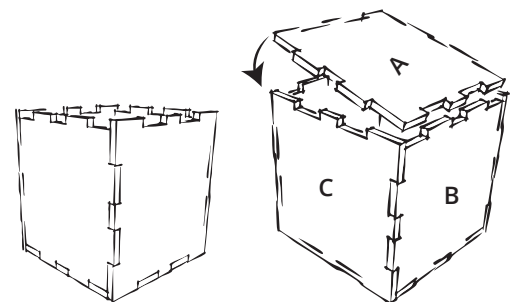
3. Repeat step 2 by hooking part C in parts A and B.



4. Repeat step 3 on the other side.



5. Slide part B into parts A and C.



6. Slide part A onto the top of parts B and C. The honeycomb stacking cube is now finished!