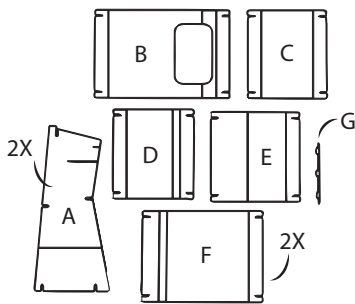
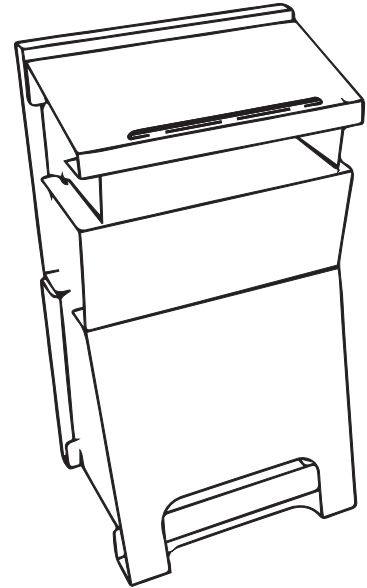


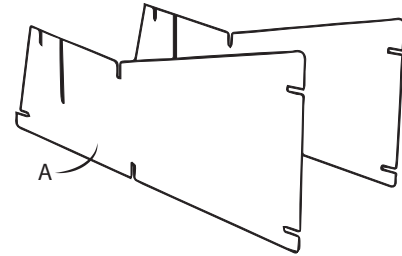
# LECTERN

## WHAT'S IN THE BOX?

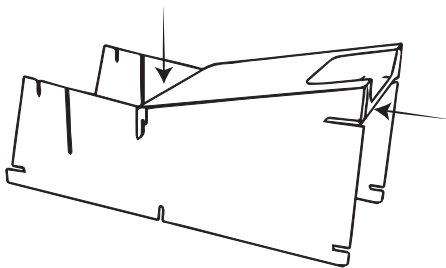
- |              |              |
|--------------|--------------|
| 2x Side A    | 1x Housing E |
| 1x Housing B | 1x Housing F |
| 1x Housing C | 1x Bar G     |
| 1x Housing D |              |



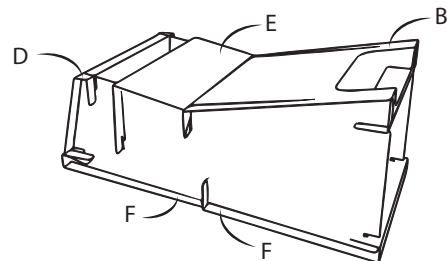
1. Check if you have all the parts.



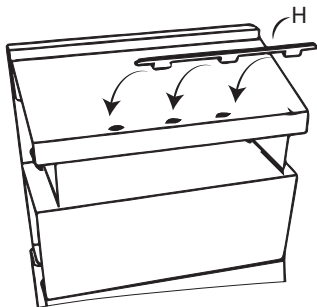
2. Keep the 2 sides up, then put the housing in to shove. Make sure the the fold lines on the inside for the best result.



3. Slide housing B into the sides through the slots.



4. Repeat step 3 for the rest of the borders.



5. Click bar G in the 3 designated holes. Now you are ready to present!