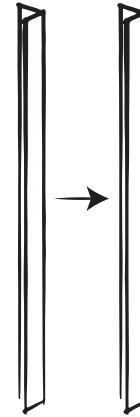
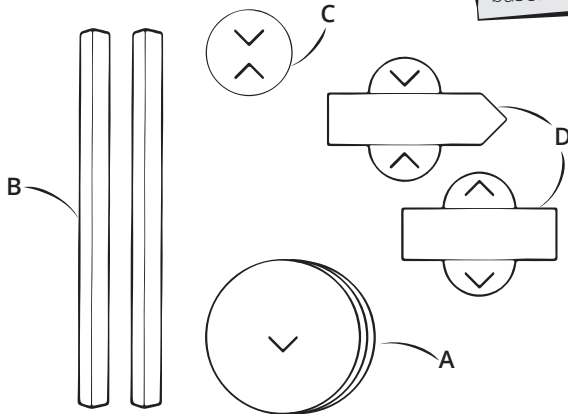
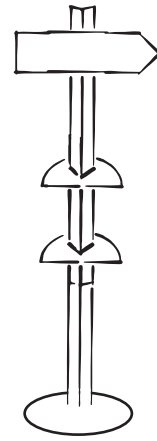


# SIGNPOST

**WHAT'S IN THE BOX?**

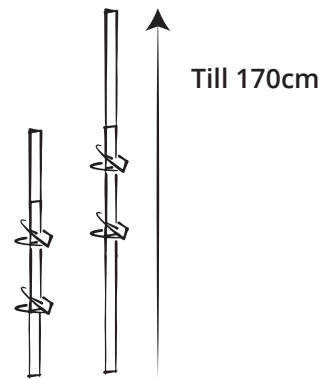
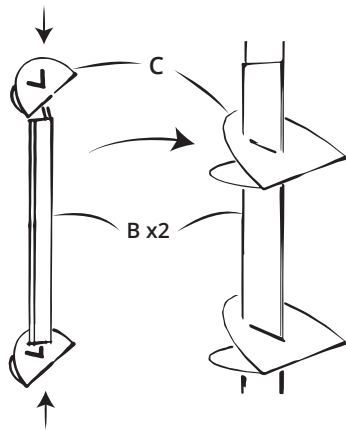
- 3x Base A
- 2x Cornerprofile B
- 2x Connector C
- 1x Arrow D

To make sure your signpost is sturdy and doesn't wobble add some weight onto the base.



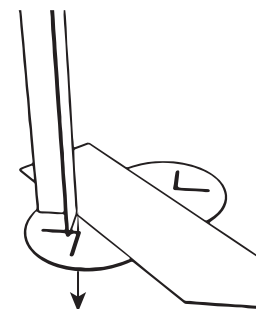
1. Check if you have all the parts.

2. Interlock both B parts with each other.



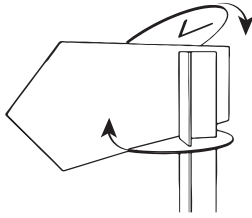
3. Slide the two connectors (C) from the top and bottom onto parts B.

4. You have the possibility to increase the signpost to 170 cm.

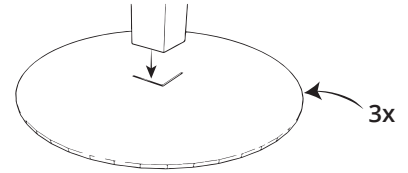


5. Fold the flaps of the arrow or sign away from you.

6. Fold the lower part (sign or arrow) back. Decide the direction of the arrow and slide the corner profile through the bottom cut-out.



7. Fold the arrow up and the flap back. Now slide the corner profile through the upper cutout. Repeat this step for the 2nd sign.



8. Slide the other side of the corner profile B through the cutout in Base A but not in too deep. Your signpost is now finished!