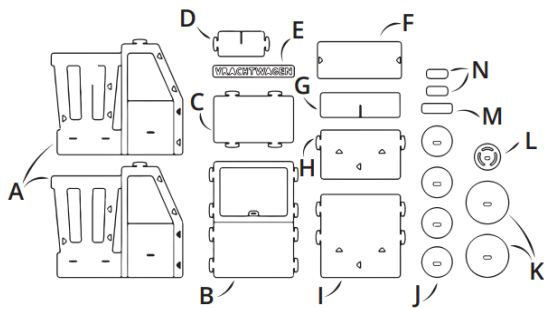
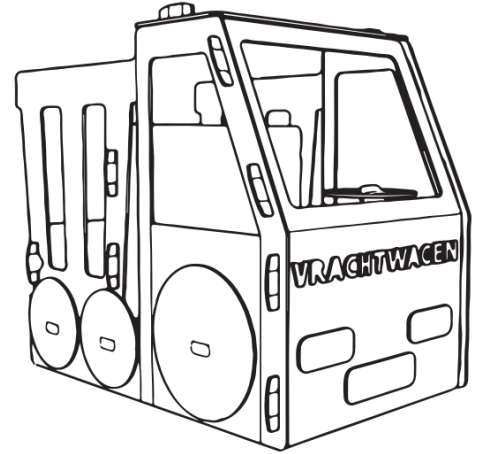


# Truck

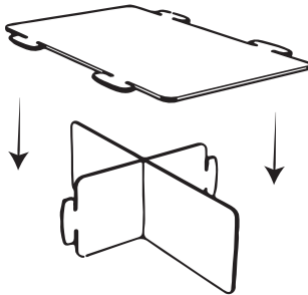
## WHAT'S IN THE BOX?

- |                    |                     |
|--------------------|---------------------|
| 2x Side A          | 1x Back H           |
| 1x Front B         | 1x Partition wall I |
| 1x Shelf C         | 4x Small wheels J   |
| 1x Part D          | 2x Big wheels K     |
| 1x Truck letters E | 1x Steering wheel L |
| 1x Top F           | 1x Numberplate M    |
| 1x Part G          | 2x Headlights N     |

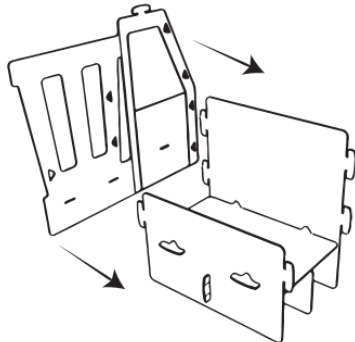
**PAY ATTENTION!** The glue must be added yourself



1. Check if you have all the parts.

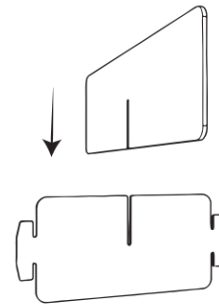


3. Place shelf C on top of part G and D.

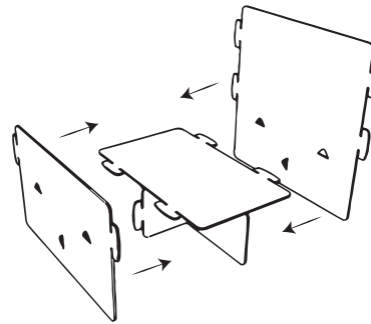


5. Attach side A to partition wall I and back H.

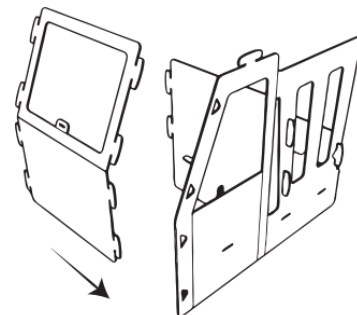
2. Slide Part G into part D.

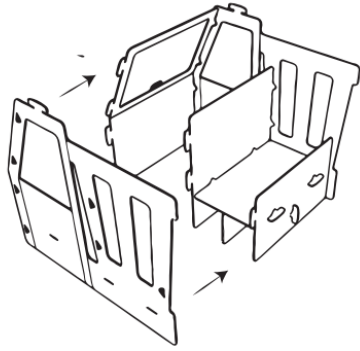


4. Now attach partition wall I on one side and back H on the other side.

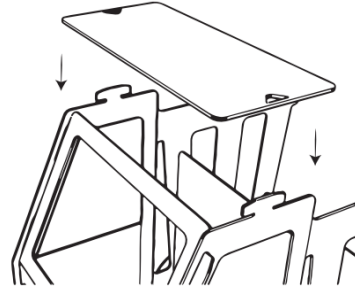


6. Attach front B to side A.

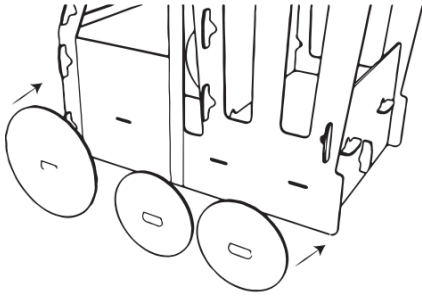




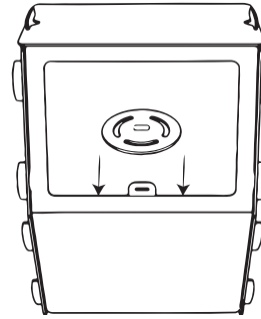
7. Attach side A to partition wall I, back H and front B.



8. Attach top F to sides A.



9. Bend the clickers of the wheels J and K and click them into the side B. The large wheel K is placed in the door.



10. Bend the clicker of steering wheel L and attach to front B, as shown in the picture.



11. Glue the headlights N, the license plate M and the truck letters E to the front B of the truck.