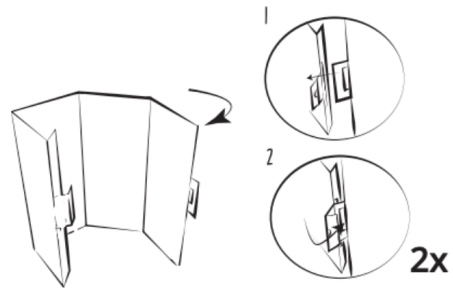
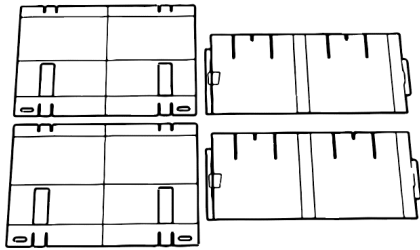
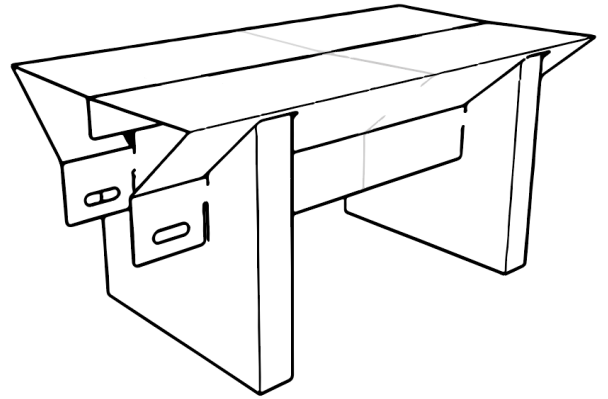


# Fold table

## WHAT'S IN THE BOX?

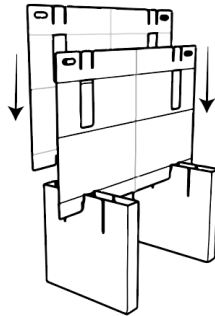
2x Tabletop A

2x Table leg B



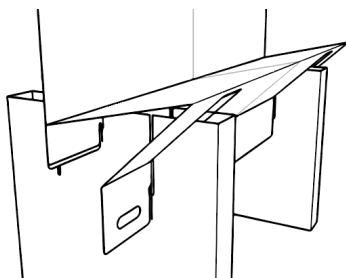
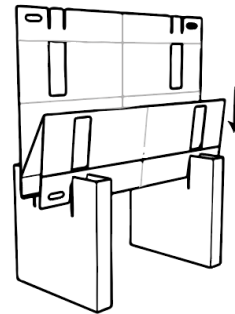
1. Check if you have all the parts.

2. Fold the table legs at a right angle and connect them as shown in the picture.



3. Slide the tabletops into the middle slot of the table legs. Make sure the holes are on top.

4. Fold one of the table tops, slide the top of that tabletop into the outer slots of the table leg.



5. Slide the top all the way down, folding the tabletop over the leg.

6. Repeat steps 4 and 5 with the other tabletop.

