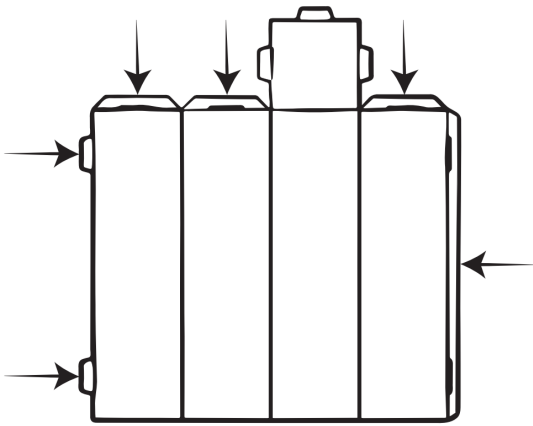


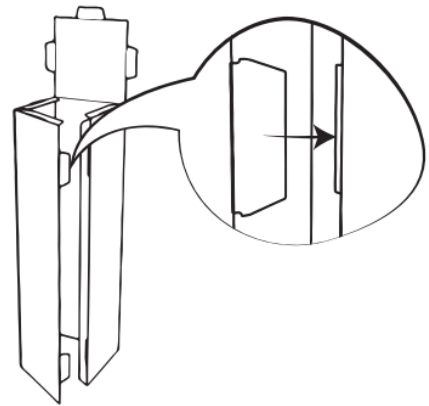
# Pillar

WHAT'S IN THE BOX?

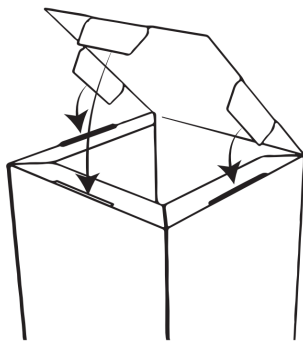
1x Base part pillar



1. Fold the flaps towards yourself.



2. Fold the base as above and insert the 2 snap fingers into the slots.



3. Fold the flaps of the lid towards yourself and fold the top closed. Your pillar is finished!