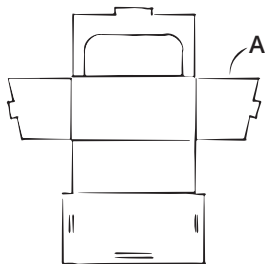
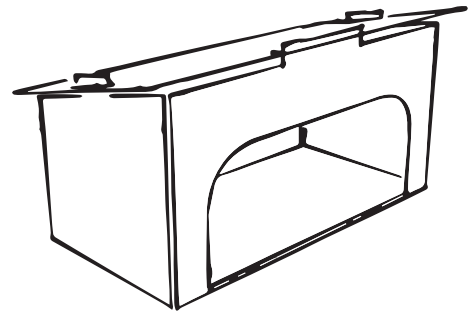


RODENT HOUSE

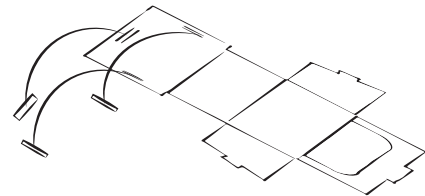
WHAT'S IN THE BOX?

1x Rodent house A

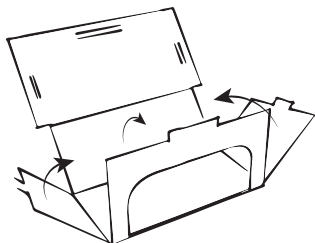
ATTENTION! Fold towards the folding line



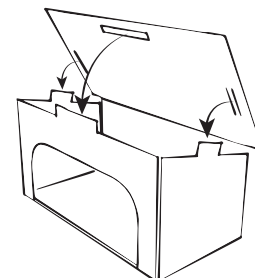
1. Make sure you have all the parts.



2. Break out the loose parts.



3. Fold the walls at the folding lines 90 degrees upwards.



4. Fold over the roof and place it in the appropriate cut-outs. Your rodent house is now finished!