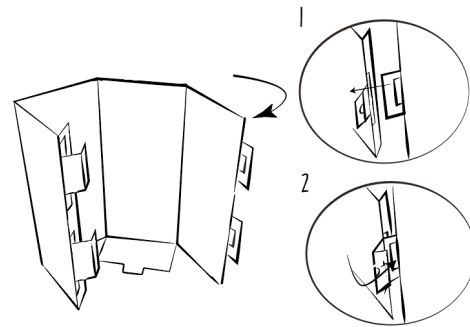
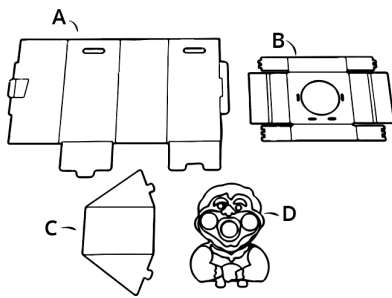


Holle Bolle Gijs Bin

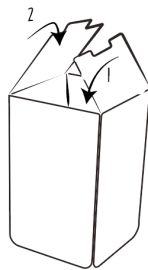
WHAT'S IN THE BOX?

- 1x Bin A
- 1x Lid B
- 1x Standard Gijs C
- 1x Gijs D

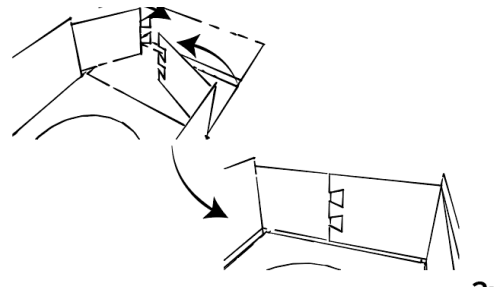


1. Check if you have all the parts.

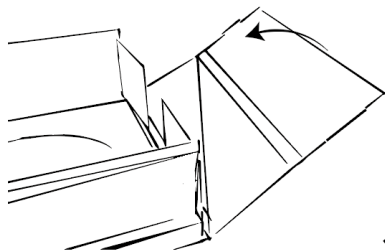
2. Fold part A in a square towards each other and attach as shown in the pictures.



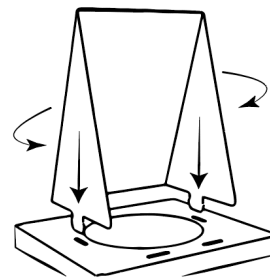
3. Turn the container over and fold the flaps inwards so that they stick.



4. Now take lid B and fold the short flaps inwards so they hook together as shown.



5. Now fold the large flaps over the small flaps, this will now remain attached.



6. Fold part C inwards, and slide it with the clickers into the holes on the side in lid B.



7. Click Holle Bolle Gijs into the two holes at the front of the hole.



8. Place the lid on the bin and your Holle Bolle Gijs bin is ready!