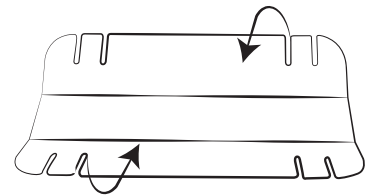
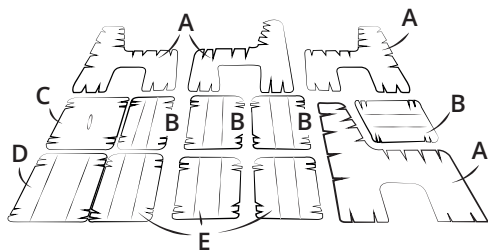
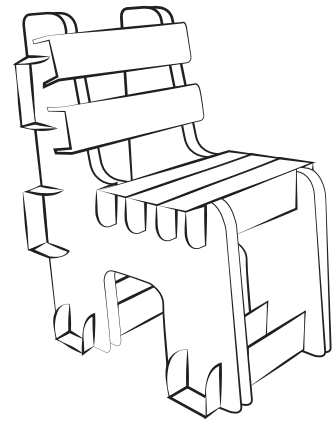


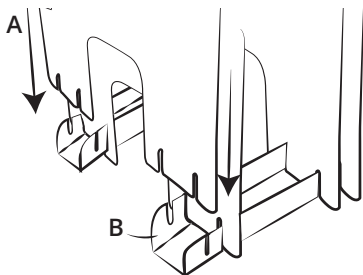
BLOCK CHAIR

WHAT'S IN THE BOX?

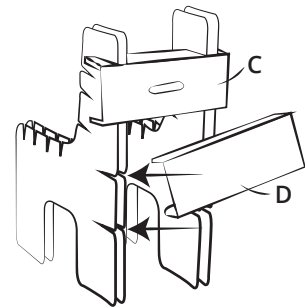
- 4x Chair base A
- 4x Partitions medium B
- 1x Partition with hole C
- 1x Partition large D
- 3x Partitions small E



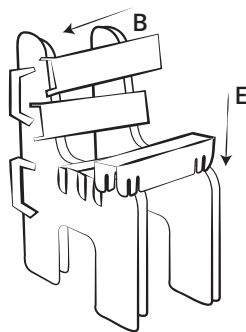
1. Take the product out of the box. Make sure you have all the parts.
2. Pre-fold the partitions B and E so that they can be easily attached.



3. Place the four base parts of the chair (A) in two of the four partitions B.



4. Then, attach the partition with hole C at the top and the large partition D at the bottom.



5. Attach the last two partitions B in the backrest and the three partitions E in the seat. Your block chair is now finished!