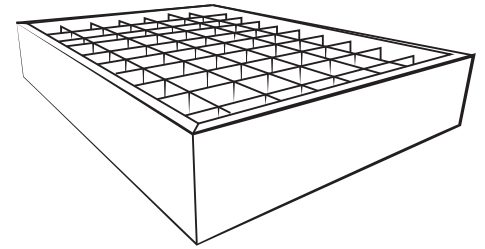


BED FRAME

WHAT'S IN THE BOX?

	A	B	C	D	E
90 cm	2x Front/back	2x Side	9x Cross piece	4x Length piece	4x Corner clamp
120cm	2x Front/back	2x Side	9x Cross piece	5x Length piece	4x Corner clamp
140cm	2x Front/back	2x Side	9x Cross piece	6x Length piece	4x Corner clamp
160cm	2x Front/back	2x Side	9x Cross piece	7x Length piece	4x Corner clamp
180cm	2x Front/back	2x Side	9x Cross piece	8x Length piece	4x Corner clamp
200cm	2x Front/back	2x Side	9x Cross piece	9x Length piece	4x Corner clamp

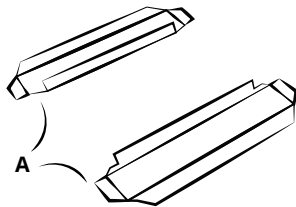


Note!

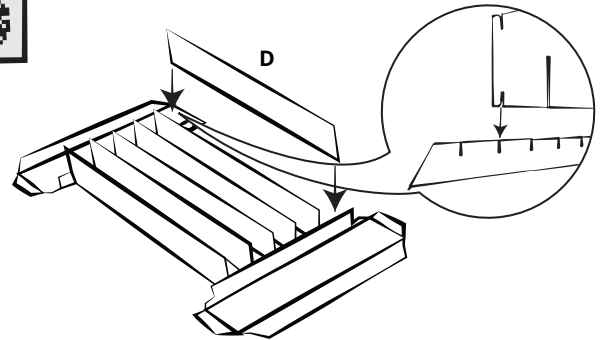
The corner clamps are assembled delivered and still need to be disassembled to be achieved.

Fold towards the folding line!

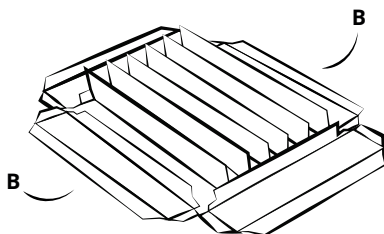
SCAN FOR THE VIDEO TUTORIAL!



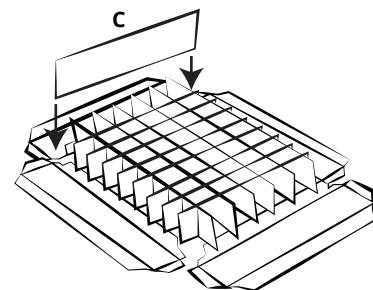
1. Take the front and back A and place them opposite each other.



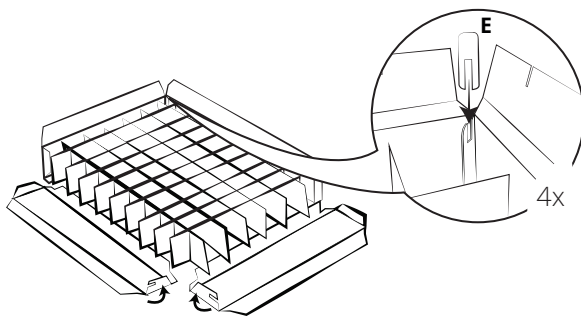
2. Now attach the length pieces D in the appropriate notches.



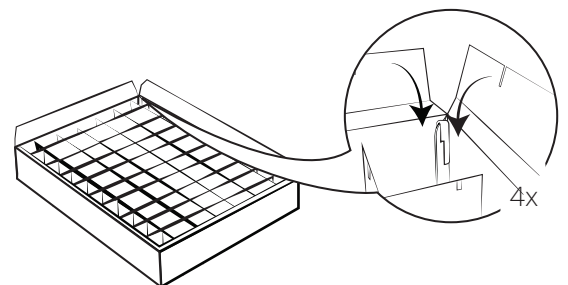
3. Also place the sides B of the bed opposite each other as shown.



4. Now attach the cross pieces C over the length pieces.



5. Fold the flaps at the corners, fold up the sides of the bed and attach them with the corner clamps E.



6. Now close the sides of the bed by inserting them into the appropriate notches. Your bed is ready! Sleep tight!