

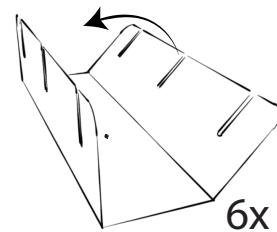
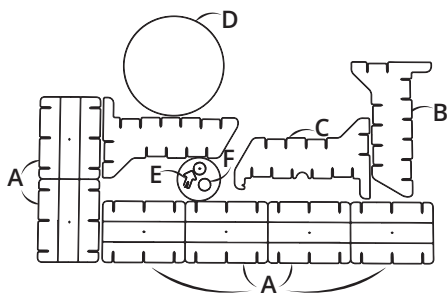
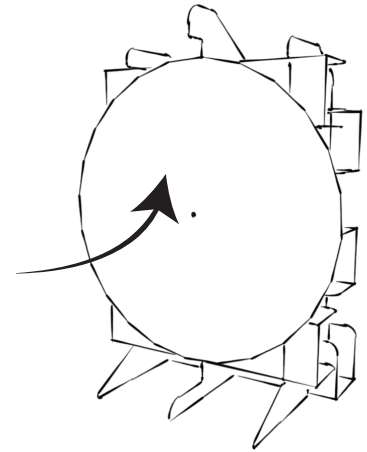
# WHEEL OF FORTUNE

## WHAT'S IN THE BOX?

- 6x Cross-beam A
- 2x Standing piece outward B
- 1x Standing piece middle C
- 1x Rotating plate D
- 1x Arrow E
- 1x Plastic cap F

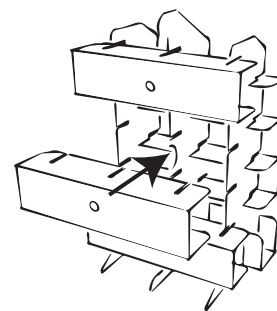
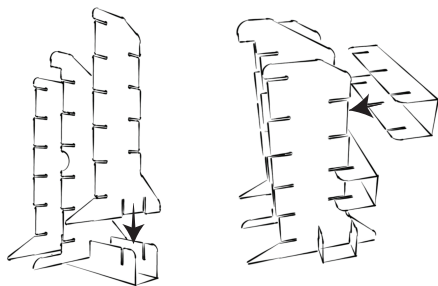
**ATTENTION!** Fold towards the folding line

Add the lines yourself with a marker!



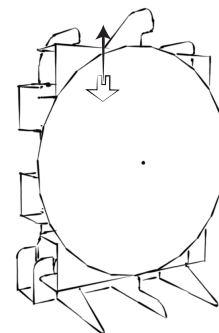
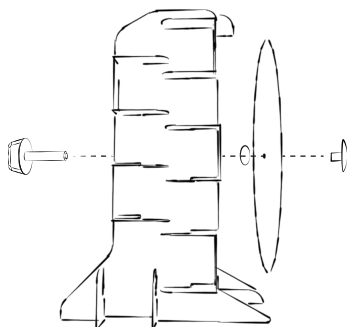
1. Make sure you have all the parts.

2. Prepare all cross-beams A by folding them as shown.



3. Take the standing parts B&C and attach them to one of the cross-beams A. Now slide the rear 2 cross-beams into the standing parts as shown.

4. Now add the cross-beams A on the front.



5. Add the rotating plate D by attaching it through the cap in the hole of the middle cross-beam.

6. Add the arrow to the top. Ready to run!