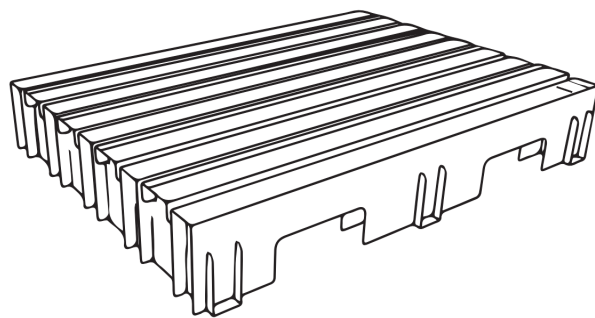


ARCH BED

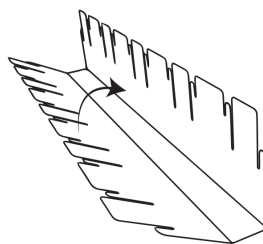
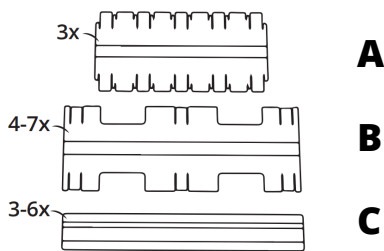
WHAT'S IN THE BOX?

	A	B	C
80 cm	3x Leg part	4x Arch part	3x Support beam
90 cm	3x Leg part	4x Arch part	3x Support beam
120 cm	3x Leg part	5x Arch part	4x Support beam
140 cm	3x Leg part	5x Arch part	4x Support beam
160 cm	3x Leg part	6x Arch part	5x Support beam
180 cm	3x Leg part	6x Arch part	5x Support beam
200 cm	3x Leg part	7x Arch part	6x Support beam



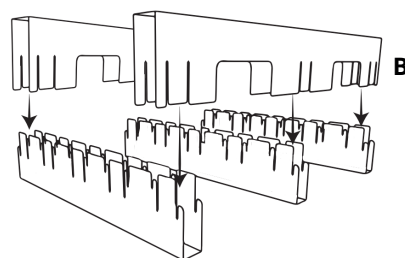
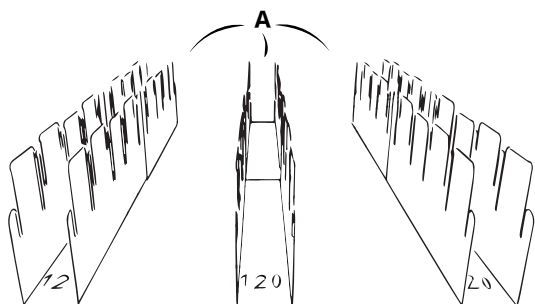
ATTENTION!

Make sure the folding lines are visible upwards and then fold the cardboard towards you.



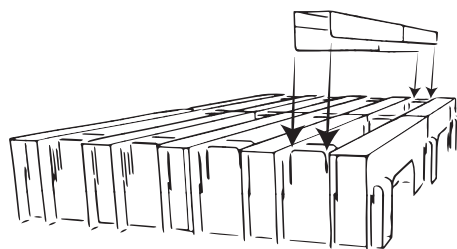
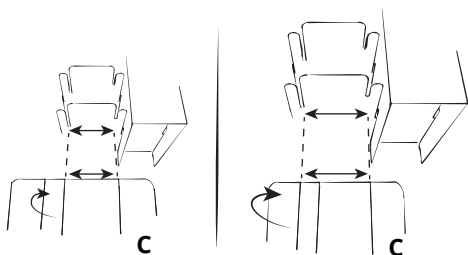
1. Make sure you have all the parts. The amount of parts depends on the size of the bed.

2. Lay all parts flat and fold parts A and B at the folding lines upwards.



3. Place leg part A opposite each other. Make sure the size indication is in the same direction.

4. Slide two arch parts B into the outer slots of A. Now slide the other arch parts into the largest slots of leg parts A.



5. Now look at which folding line part C must be folded, by placing it next to the remaining slots. This depends on the size of the bed.

6. Now slide the folded support beams C into the remaining incisions. Your arch bed is now finished. Sleep well!

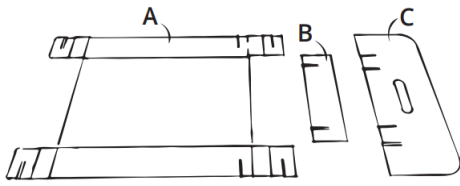
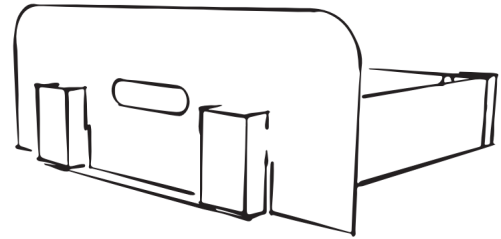
ARCH BED DRAWER

WHAT'S IN THE BOX?

1x Body A

1x Back B

1x Front C

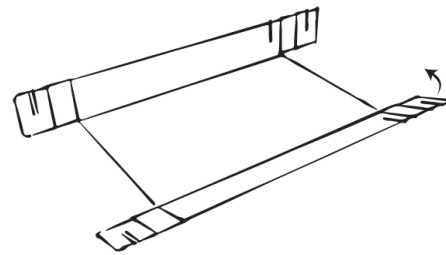


1.

Make sure you have all the parts.

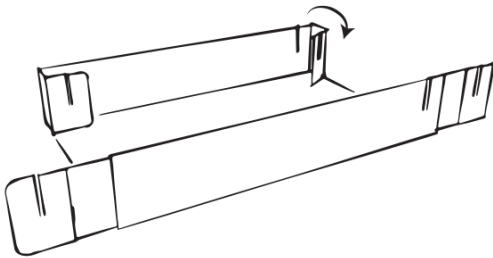
2.

Fold up the sides of the body A.



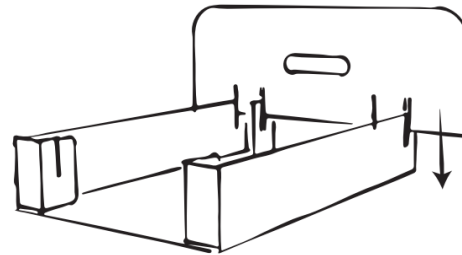
3.

Fold the flaps at the front and back inwards. Do this on both sides.



4.

Fit the front C in the slots provided.



5.

Fit the back B in the slots provided. Your drawer is ready!

